

Imported by Amart Furniture Pty Ltd, Qld, Brisbane Australia.

For any assistance with assembly or for missing parts please phone

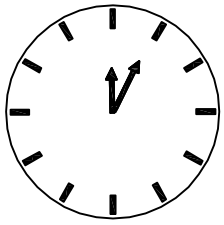
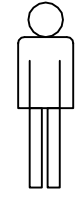
Amart Furniture Ewing Road, Customer Service Free Call 1800

351 084

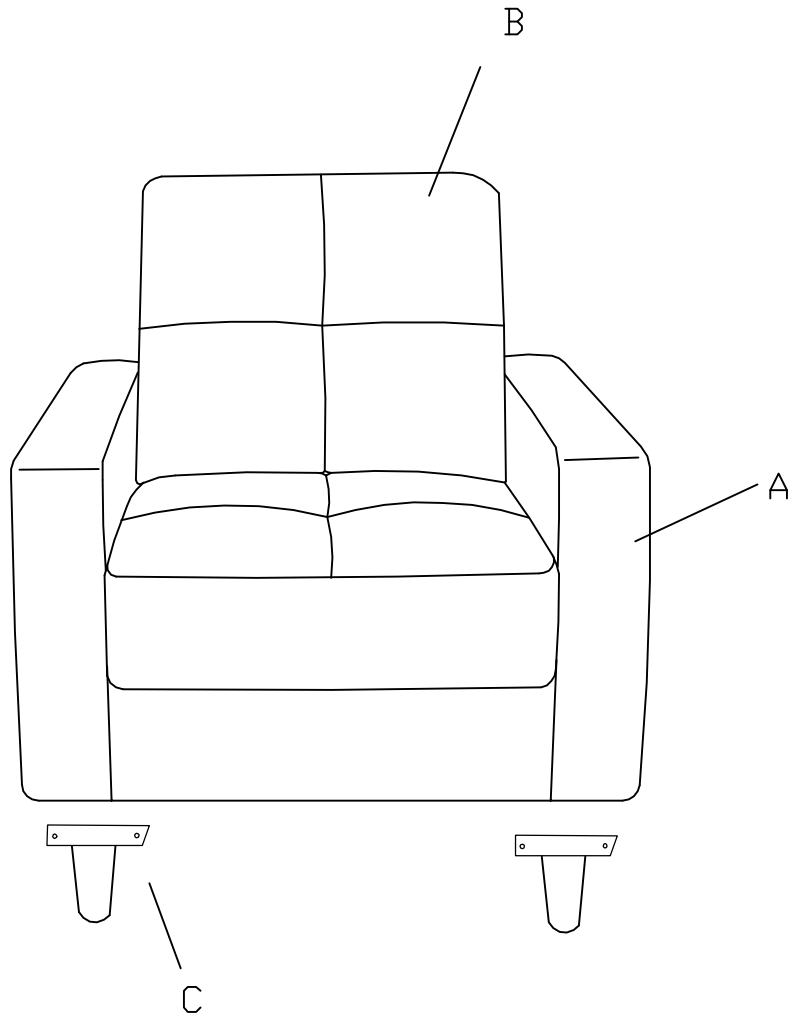
PRE-ASSEMBLY PREPARATION


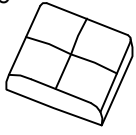
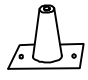




Before you start:

1. Choose a clean, level, spacious assembly area. Avoid hard surfaces that may damage the product
2. Take care when lifting. Product be assembled as near as possible to the point of use
3. Ensure that you have all required contents for complete assembly
4. Always read the assembly instructions carefully before beginning assembly
5. Keep all hardware parts and packaging out of small children
6. Do not over tighten the screws and bolts as this may damage the threads

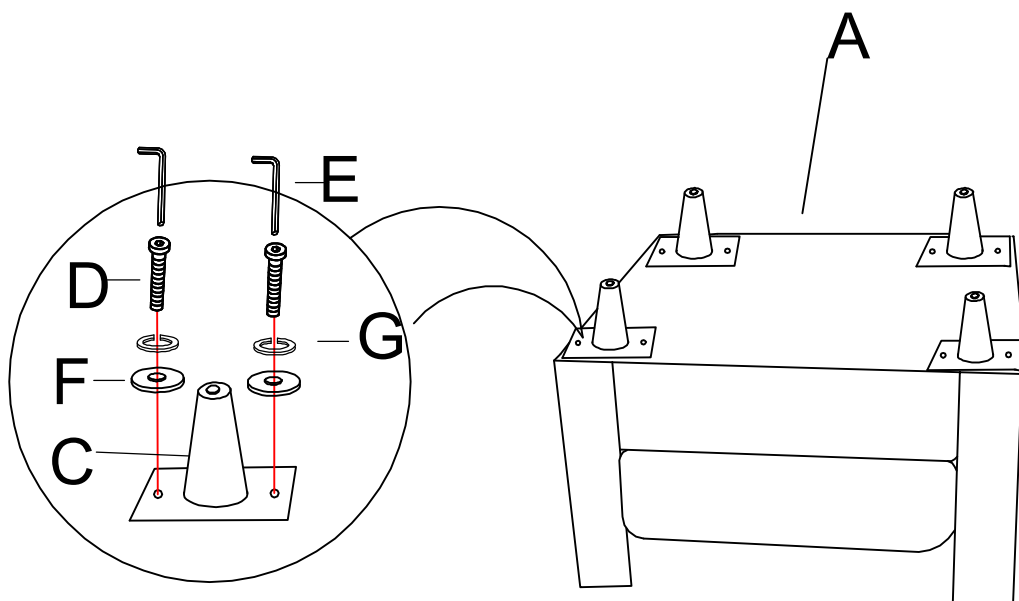
	
ALLOW 5 MINUTES	2 PEOPLE REQUIRED

PARTS LIST

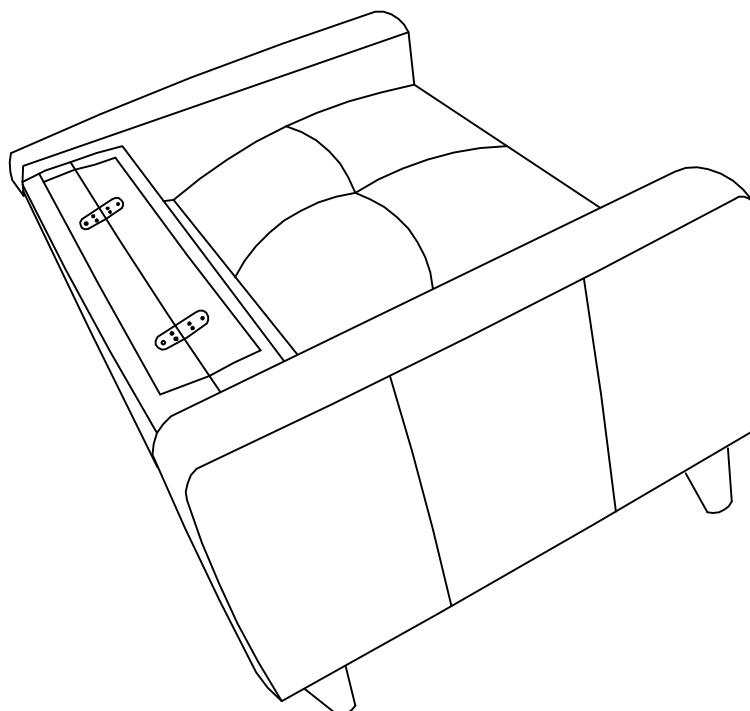


<p>A.1PC</p>  <p>Seater</p>	<p>B.1PC</p>  <p>Cushion</p>	<p>C.4PCS</p>  <p>Leg</p>	<p>D.8PCS(M8*30mm)</p>  <p>Bolt</p>	<p>E.1PC(M5*10mm)</p>  <p>Allen Key</p>
<p>F.8PCS*(M8)</p>  <p>Flat Washer</p>	<p>G.8PCS*M8</p>  <p>Spring Washer</p>			

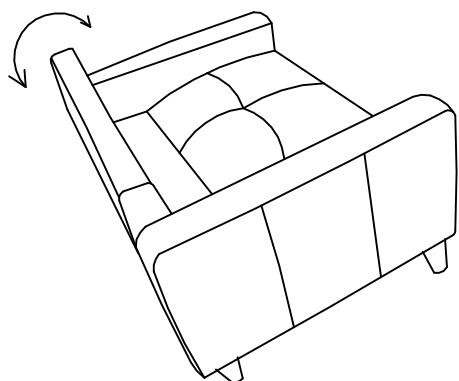
STEP 1: Attach leg(D) to base frame(A) ,using bolt(H) with flat washer(F) and spring washer(G),then fasten by allen key(E).With 2 people carefully turn over



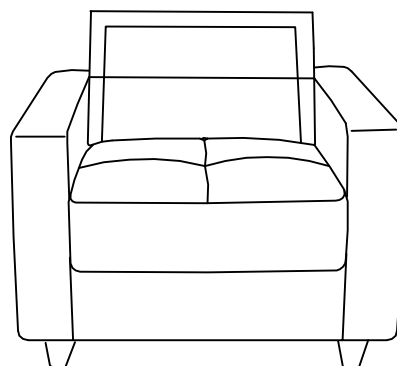
STEP 2:



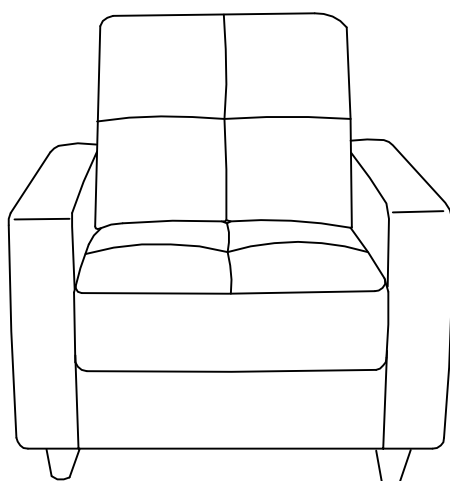
STEP 3:



STEP 4:



ASSEMBLY IS COMPLETE



Do not drag sofa on any surface, must be lifted.

CARE AND MAINTENANCE

FABRIC CARE

REGULAR CARE: PROTECT FROM DIRECT SUNLIGHT.
VACUUM REGULARLY USING LOW SUCTION. ROTATE
REVERSIBLE CUSHIONS REGULARLY.

CLEANING:

DO NOT REMOVE CUSHION COVERS FOR SEPARATE
CLEANING EVEN THOUGH THEY HAVE ZIPPERS.

DO NOT WASH

DO NOT DRY CLEAN

DO NOT SHAMPOO

CLEAN WITH HOT-WATER EXTRACTION MACHINE. (HOT)

PROFESSIONAL CLEANING RECOMMENDED DO NOT USE

DISHWASHING OR LAUNDRY

DETERGENTS

USE ONLY UPHOLSTERY DETERGENTS

DO NOT WET FILLING

DRY IN SHADE AWAY FROM DIRECT HEAT AND SUNLIGHT

ALLOW TO DRY THOROUGHLY BEFORE RE-USE

SPOT CLEANING:

DO NOT RUB

DO NOT SPOT CLEAN WITH ANY SOLVENT.

TREAT SPILLS AND STAINS AS SOON AS POSSIBLE.

GENTLY SCRAPE ANY SOIL OR MOP ANY LIQUID

FROM THE SURFACE OF THE FABRIC.

APPLY PROPRIETARY CLEANING AGENTS STRICTLY

ACCORDING TO INSTRUCTIONS TO REMOVE THE

RESIDUE OF THE SPILL.

DO NOT SATURATE THE FABRIC OR INTERIOR WITH

WATER OR OTHER CLEANING LIQUIDS.

WARNING: APPLY ONLY WATER-BASED SOIL RESIST (FABRIC
PROTECTION) TREATMENTS. DO NOT USE AEROSOL
PRODUCTS.